

Discharge NPT

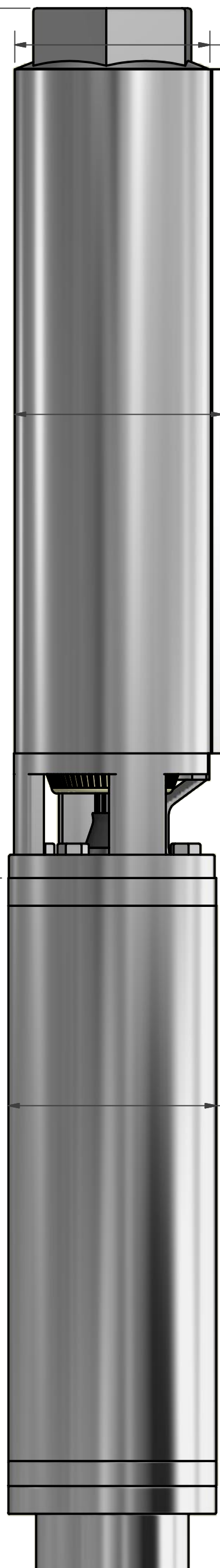
Ø3.520

3.90 Diameter With Cable Guard

3.750

9.50

Pump End



Motor Weight: 14.6 Lbs.

SCS Pump Weight & Dimensions

Model Number	Stages	PE Length	PE Weight (LBS)	Discharge Size
SCS 4.2-210-60 BL	12	14.13"	8	1 1/4" NPT
SCS 4.6-230-60 BL	15	16.8"	10	1 1/4" NPT
SCS 3-190-45 BL	20	19.65"	11	1 1/4 NPT
SCS 7.5-165-60 BL	10	10.67	7	1 1/4 NPT
SCS 7-210-60 BL	13	12.67	8	1 1/4 NPT
SCS 6-140-45 BL	17	14.13	9	1 1/4 NPT
SCS 10-130-60 BL	7	10.67	7	1 1/4 NPT
SCS 10-165-60 BL	10	12.67	8	1 1/4 NPT
SCS 8-110-45 BL	12	14.13	9	1 1/4 NPT
SCS 12-95-60 BL	5	9.29	6	1 1/4 NPT
SCS 12-127-60 BL	7	10.67	7	1 1/4 NPT
SCS 10-90-45 BL	10	12.76	8	1 1/4 NPT
SCS 14-95-60 BL	5	10.12	6	1 1/4 NPT
SCS 15-92-60 BL	6	10.98	7	1 1/4 NPT
SCS 13-80-45 BL	8	12.68	8	1 1/4 NPT
SCS 20-70-60 BL	4	9.69	6	1 1/2 NPT
SCS 18-90-60 BL	5	10.69	6	1 1/2 NPT
SCS 15-70-45 BL	7	12.6	7	1 1/2 NPT
SCS 18-60-45 BL	6	14.13	8	2 NPT

DRAWN James C. Allen CHECKED	10/20/2014	SunPumps, Inc.	
QA		TITLE	
MFG		60 Volt Motor, 4" Pump Ends	
APPROVED		SIZE	DWG NO
		C	SCS-4-60V-W
		SCALE	REV
			1
		SHEET	1 OF 1